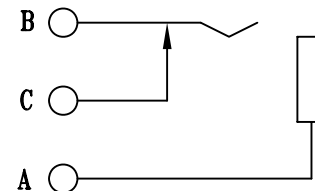
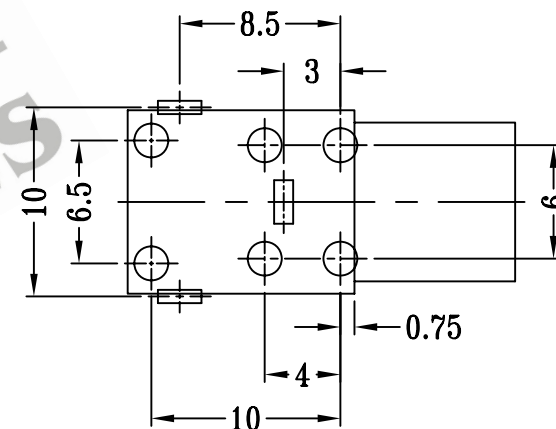
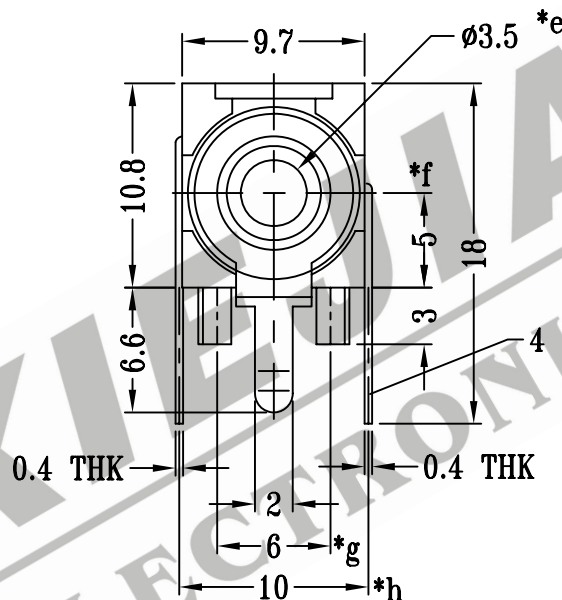
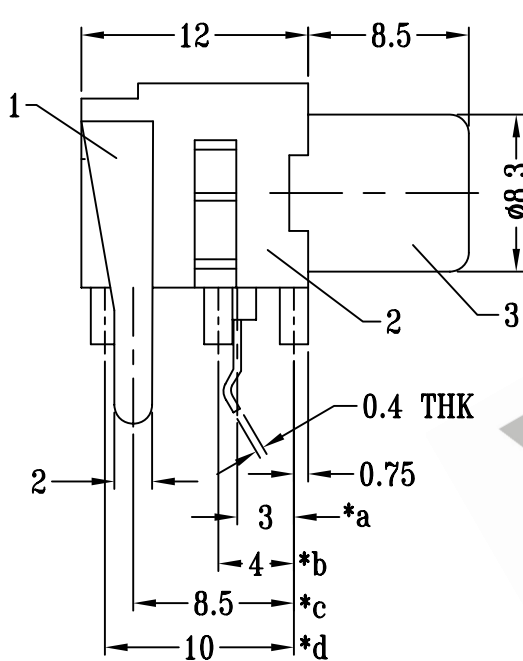


CAD FILE :



SCHEMATIC



P.C.B LAYOUT

注：“\*”表示关键尺寸（8个）

8					TOLERANCE UNLESS SPECIFIED	SHENZHEN XIEJIA ELECTRONICS CO.,LTD.				
7										
6					WITHIN: 1.5±0.1mm OVER : 1.5±0.2mm	ISSUE	DATE	DESCRIPTIONS		APPD
5										
4	TERMINAL	BRASS STRIP	1	Ag PLATED OVER Ni PLATED	TITLE: RCA JACK	UNIT : M M	DRWG NO : XJ-DR-RC142-00			
3	SLEEVE	BRASS STRIP	1	Cr PLATED						
2	CASE	ABS	1	BLACK	MODEL: RC-142	SCALE : 5:2	DWN.	ZHOUYU	2004-12-3	
1	SPRING TERMINAL	PBS STRIP	1	Ag PLATED OVER Ni PLATED			CHK'D	FANGYING	2004-12-3	
NO.	PART NAME	MATERIAL	QTY.	FINISHING	ALL MATERIALS MUST BE COMPLIANT TO ROHS		APPD.	KANGXINAN	2004-12-3	